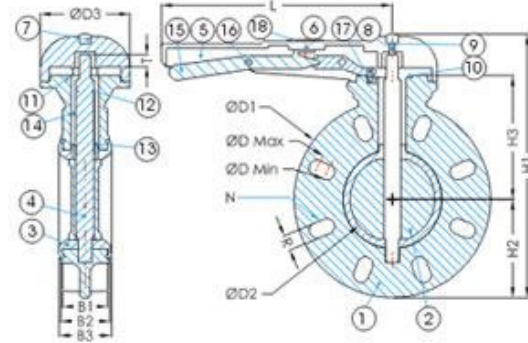


BUTTERFLY VALVE- HANDLE OPERATE



Features

- Strong one piece molded body.
- Hexagonal SS through shaft for positive disc support and rotation.
- Safety lock to prevent unauthorized operation.
- Intermittent locking provision for positive poisoning of the disc.
- Full body liner seat... avoids flange gaskets.
- Hand operated version with ergonomic handle made up of ABS material.
- Oval holes to fit with different flange standards.
- Provision for actuator fixing according to ISO 5211.
- Flanged couplings : BS 4504, DIN 8063 & ANSI 150 standards.

Material of Construction

Item No.	Component Name	NO.s	Material	Item No.	Component Name	NO.s	Material
1	Body	1	GRPP	11	Screws	3	SS
2	Disc	1	PP	12	Stem O ring	1	EPDM/Viton
3	Disc	1	EPDM/Viton	13	Bush O ring	2	EPDM/Viton
4	Stem	1	SS 420	14	Bush	1	EPDM/Viton
5	Handle	1	ABS	15	Levers	2	GRPP
6	Lock	1	ABS	16	Pivots	2	ABS
7	Protection Cap	1	PE	17	Position Pin	1	SS
8	Screw	1	SS	18	Top Cover	1	ABS
9	Washer	1	SS				
10	Position Ring	1	SS				

Dimension

SNo.	Size	ØD Max	ØD Min	H1	H2	H3	L	B1	B2	B3	ØD1	ØD2	R	N	Work Pressure
1	3"	159.8	145	278.8	99.1	131	269	46	49	55	197.8	79	18	14	10
2	4"	190.4	165	307.1	114.4	144	269	52	56	61.5	228.9	101	18	8	10
3	6"	241.3	231.3	379	145.2	181.2	382	65	69.4	74.6	299.4	151	23	8	10
4	8"	298.4	280	438	171.7	213.7	382	78.2	82.7	88.3	343.4	198	23	8	10