

AURO SELF PRIMING NON-CLOG PUMP

ASP

applications

For Sewage disposal and Effluent treatment plants.

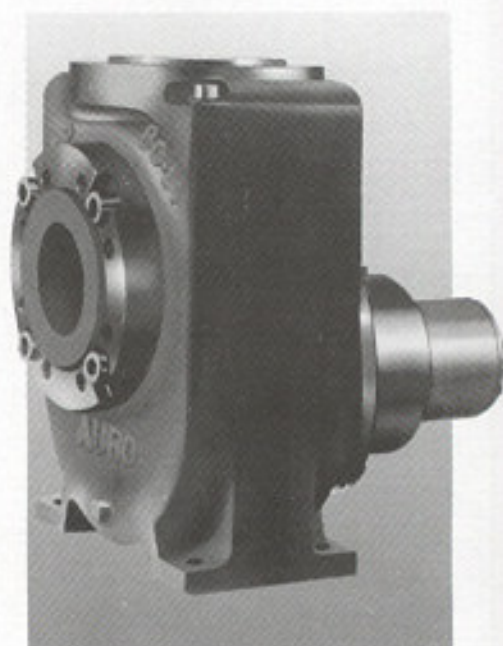
On board ships, as bilge, for desk wash and engine cooling .

For loading, unloading and transferring Oils, Gasoils, Mineral oils, Solvents, Grease, Petrol, Seawater, Thermal power plants etc.

For removing water from Basements, Trenches, Construction sites, Swimming pools, Swamps etc.

For lift irrigation and horticultural water spraying.

a
multipurpose
pump
for
clean
and
polluted liquids



range

Capacity	- upto 250 m ³ /hr
Head	- upto 50 mtrs.
Suction Head	- upto 8 mtrs.
Solids	- 40 mm dia
Viscosity	- upto 100 mm ² /sec
MOC	- C.I., Bronze, CF8M

special features

Perfect sealing is assured by high quality mechanical seal, which can even run dry, due to in-pump oil reservoir.

Extra large impeller with wide flow passage avoids clogging for easy handling of polluted liquids.

Needs no foot valve. The pump primes itself.

Variety of drive options of electric motor - coupled or monoblock, belt drive version or petrol/diesel engine.



design

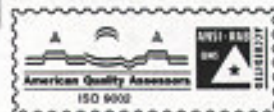
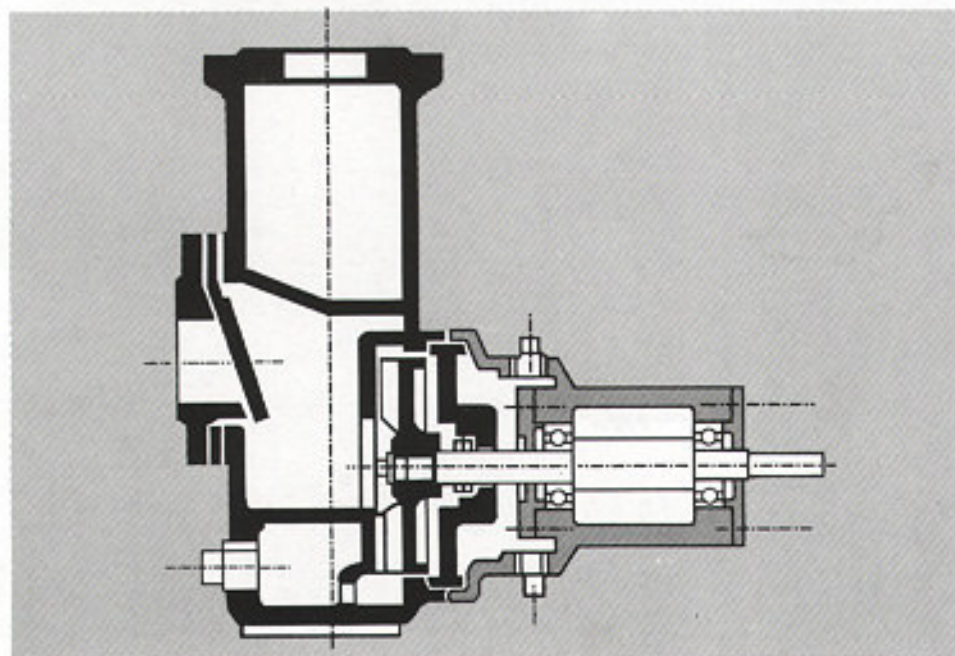
Close grained cast iron casing & impeller with wider space, to avoid clogging.

Back pullout design ensures easy inspection and maintenance.

Compact, light weight and rugged construction.

Perfect self priming with suction head upto 8 mtrs.

Can handle solids upto 40 mm dia.



the AURO range

ACC CHEMICAL PROCESS PUMPS

ACC THERMIC FLUID PUMPS

ACC VERTICAL SUBMERGED PUMPS

MULTI STAGE BOILER FEED PUMPS

SUBMERSIBLE PUMPSET FOR 4", 6"
& 8" BORE

MONOBLOCK PUMPSET UPTO 10 H.P.

SUBMERSIBLE HORIZONTAL

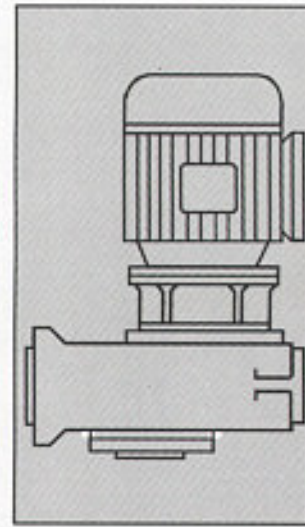
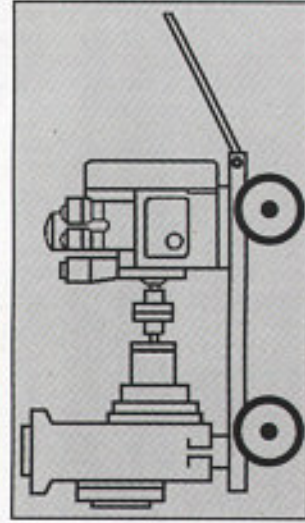
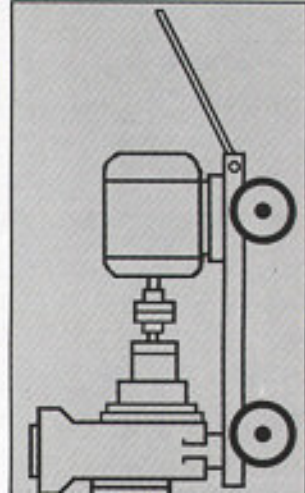
MONOBLOCK PUMPSET FOR OPEN
WELL UPTO 7.5 H.P.

ELECTRIC MOTORS

PUMP TYPE	RECOMMENDED H.P.	R.P.M.	MAXIMUM SOLID SIZE (mm)	PIPE SIZE (Inches)	M ³ / Hr.	HEAD IN METERS																		
						3	6	9	12	15	18	24	30	36	45	60	75							
ASP 30 x 110	1.0	2900	7.5	1.25	15	14	11.5	9																
ASP 40 x 110	1.5	2900	12.0	1.50	16	15	14	13	11.5	10														
ASP 50 x 120	2.0	2900	10.0	2.00	20	19	18	16.5	15.5	14	10													
ASP 50 x 120 W	3.0	2900	13.0	2.00	20	19	18	17	16	14	10													
ASP 65 x 120	5.0	2900	20.0	2.50				20.5	20	19.5	18	17	16	13.5	5.5									
ASP 80 x 140	5.0/7.5	2900	24.0	3.00				22.5	22	21	20.5	20	18.5	15	10									
ASP 65 x 150	7.5	2900	11.0	2.50				29	28	27	25	23	21	16										
ASP 30 x 160	3.0	2900	6.0	1.25	32	28.5	24.5	19	10															
ASP 65 x 160	7.5	2900	12.0	2.50				35	34.5	34	32	31	29	22.5										
ASP 40 x 180	5.0	2900	6.5	1.50	39.5	37	34	31	27.5	22														
ASP 50 x 200	7.5	2900	4.0	2.00		48	47.5	46	45	43	33													
ASP 65 x 220	15.0	2900	10.0	2.50				57	56	55	53	50	47	42	31.5									

Note : Product improvement is a continuous process at AURO. The data given in this publication is therefore subject to revision.

PUMP TYPE	RECOMMENDED H.P.	R.P.M.	MAXIMUM SOLID SIZE (mm)	PIPE SIZE (Inches)	M ³ / Hr.	HEAD IN METERS																		
						20	30	40	50	60	80	100	125	150	200	250								
ASP 80 x 210	5.0	1450	21	3	13	12.5	12	11.5	11	9														
ASP 100 x 250	12.5	1450	26	4		23.5	23	22.5	22	21	19	15												
ASP 150 x 290	20.0	1450	40	6				21	20	19	18	16	14	8.5										
	25.0	1450	50	6				26	25.5	25	24	22.5	21	18	13									



NEW ERA

Pumping & Primeover Solution Co.,

NEW ERA ENGINEERS & TRADERS

#1/11 D, Erooalu Chetty Street,

Pattinam, Chennai - 600 001.

Ph : +91 44 2834233 or 42083789

Tax : +91 44 25340570

Email : newera@airtelbroadband.in